



# LUXEON Rebel

## General purpose white



The LUXEON Rebel general purpose white line of LEDs are ideal for all lighting and illumination applications. These flux differentiated parts, like all other LUXEON Rebel LEDs, provide the industry's best lumen maintenance, superior reliability and quality white light that make them the most widely used power LEDs today.

### FEATURES AND BENEFITS

- Deliver more usable light and higher flux density
- Optimize applications to reduce size and cost
- Small footprint to tightly pack the LEDs for mixing
- Utilize standard FR4 PCB technology for simplify manufacturing through the use of surface mount technology
- UL-recognized component [E327436]

### PRIMARY APPLICATIONS

- Outdoor
- Specialty

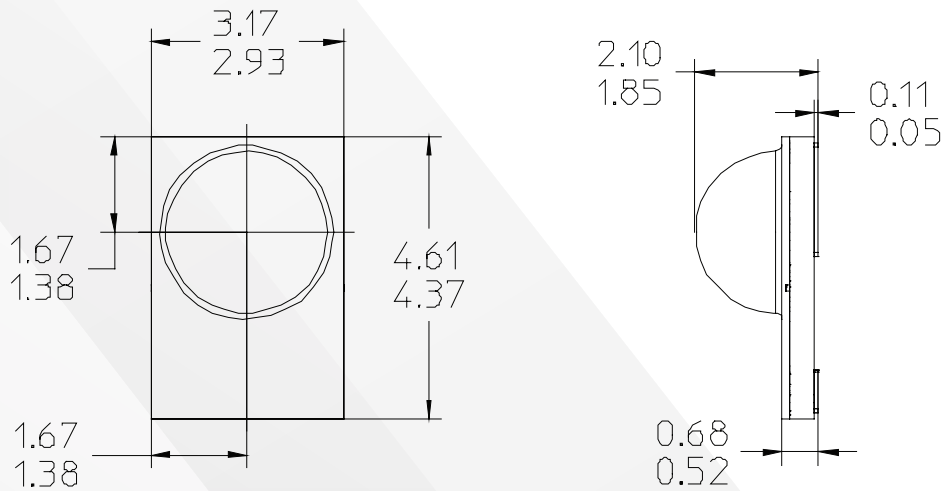
LUXEON Rebel product performance at 350mA and 700mA, T<sub>j</sub>=25°C.

NOMINAL CCT	MINIMUM CRI <sup>[1, 2]</sup>	LUMINOUS FLUX <sup>[1]</sup> (lm)		TYPICAL LUMINOUS EFFICACY (lm/W)	TYPICAL LUMINOUS FLUX (lm)	TYPICAL LUMINOUS EFFICACY (lm/W)	PART NUMBER
		MINIMUM	TYPICAL				
		350mA					
3500K-4500K	60	90	93	89	160	68	LXML-PWN1-0090
3500K-4500K	60	100	105	100	180	76	LXML-PWN1-0100
3500K-4500K	60	110	114	109	200	85	LXML-PWN1-0110
3500K-4500K	60	120	123	117	220	93	LXML-PWN1-0120
4500K-10000K	60	90	93	89	160	68	LXML-PWC1-0090
4500K-10000K	60	100	105	100	180	76	LXML-PWC1-0100
4500K-10000K	60	110	115	109	200	85	LXML-PWC1-0110
4500K-10000K	60	120	123	117	220	93	LXML-PWC1-0120

Notes:

1. Lumileds maintains a tolerance of ±2 on CRI and ±6.5% on flux measurements.
2. Typical CRI is approximately 2 points higher than the minimum CRI specified, but this is not guaranteed.

Mechanical Dimensions.



Notes:

1. Drawings are not scale.
2. All dimensions are in millimeters.