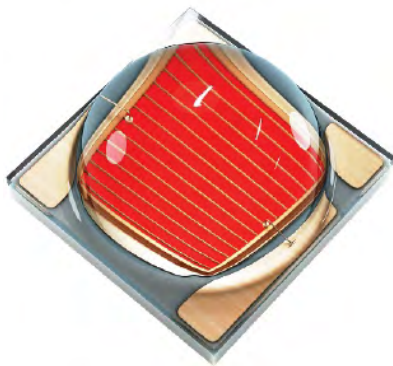




LUXEON SunPlus HPE

Best in class performance and efficacy high power LED for horticulture applications



LUXEON SunPlus HPE achieves the highest PPF and PPE with an industry-standard footprint of 3.5mm x 3.5mm. It enables growers to improve crop growth, reduce energy consumption, and make agriculture more sustainable. The LUXEON SunPlus HPE is a deep red LED with a peak wavelength of 660nm and is designed specifically to enable the highest-quality LED solutions for horticulture applications.

FEATURES AND BENEFITS

High power deep red ceramic LED with 660nm peak wavelength

High PPF and PPE specified at 25°C and 85°C

Industry standard footprint 3.5mm x 3.5mm

PRIMARY APPLICATIONS

Horticulture

Grow lights

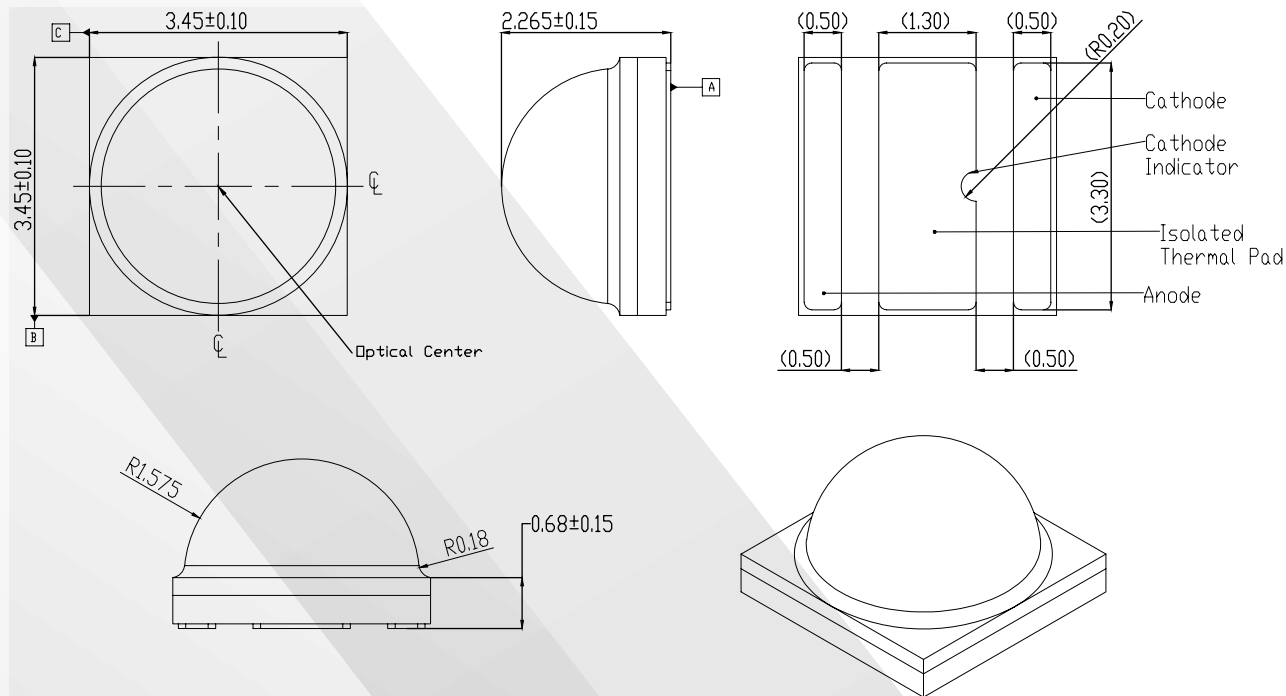
LUXEON SunPlus HPE product performance at 700mA.

COLOR	PEAK WAVELENGTH (nm)		PPF (μmol/s) ^[1] in PAR (400 to 700nm) ^[2]			PPF/W (μmol/J)		PART NUMBER
	MINIMUM	MAXIMUM	MINIMUM	TYPICAL at T _J =85°C	TYPICAL at T _J =25°C	TYPICAL at T _J =85°C	TYPICAL at T _J =25°C	
Deep Red	655	680	4.5	5.25	5.82	3.75	4.01	L1SP-DRD0203E00000

Notes:

1. Lumileds maintains a tolerance of ±6.5% on μmol/s for LUXEON SunPlus HPE.
2. PAR is the photosynthetic active radiation from 400 to 700nm.

Mechanical Dimensions.



Notes:

1. Drawings are not to scale.
2. All dimensions are in millimeters.
3. Do not handle the device by the dome. Excessive force on the dome may damage the dome itself or the interior of the device.