

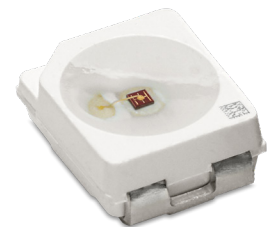
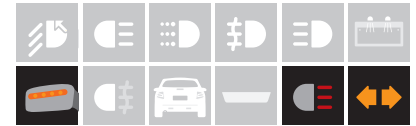
SignalSure 75

Mid power solution

SignalSure 75 is a compact, surface-mount, mid power LED signaling solution that delivers an elevated standard of light output, flux density, and color uniformity. SignalSure's robust design structure, coupled with high performance specifications, ensures high quality and reliability. SignalSure 75 is IEC-60810 and AEC-Q102 qualified.

SignalSure 75 is available in the following color wavelengths:

- Red Orange (615 nm)
- Red (623 nm)



FEATURES AND BENEFITS

- Higher drive current capability for increased flux performance
- Low thermal resistance for better hot lumen performance
- Standard packaging for low cost and ease of manufacturability

PRIMARY APPLICATIONS

- Mirror/Side Repeater
- Stop/Tail
- CHMSL
- Turn

Table of Contents

General Product Information	2
Product Test Conditions	2
Part Number Nomenclature	2
Environmental Compliance	2
Performance Characteristics	3
Product Selection Guide	3
Optical Characteristics	3
Electrical and Thermal Characteristics	3
Absolute Ratings	4
Characteristic Curves	4
Spectral Power Distribution Characteristics	4
Light Output Characteristics	5
Forward Current Characteristics	6
Radiation Pattern Characteristics	7
Operating Limits Characteristics	8
Permissible Pulse Handling Characteristics	8
Product Bin and Labeling Definitions	9
Designing with SignalSure	9
Decoding Product Bin Labeling	9
Luminous Flux Bins	10
Color Codes	11
Forward Voltage Bins	11
Mechanical Dimensions	12
Reflow Soldering Guidelines	13
JEDEC Moisture Sensitivity	13
Solder Pad Design	14
Packaging Information	15
Pocket Tape Dimensions	15
Reel Dimensions	15
Product Labeling	16

General Product Information

Product Test Conditions

SignalSure 75 LEDs are tested and binned using a 20 ms monopulse (MP) at 75 mA drive current, junction temperature, T_j , of 25 °C.

Part Number Nomenclature

Part numbers for SignalSure 75 follow the convention below:

A 1 D P – **B B B B** L **D** 7 **E F G H** 0 0

Where:

- B B B B** – designates color variant and minimum dominant wavelength (O612 = 612nm minimum, R620 = 620nm minimum)
- D** – designates the binning condition (1 = single binning (75 mA), 8 = dual binning (75 mA and 5 mA))
- E** – designates minimum luminous flux (Refer to luminous flux bins)
- F** – designates flux bin range (3 = 3 subsequent flux bins including the minimum bin)
- G H** – designates forward voltage range in which G is the minimum V_f bin and H is the maximum V_f bin (Refer to forward voltage bins)

Therefore, the following part number is used for a SignalSure 75 Red-Orange with luminous flux range of 12.5 lumens to 21 lumens and forward voltage range of 2.07 volts to 2.67 volts:

A 1 D P – **O 6 1 2** L **1 7** **H 3 A D** 0 0

Environmental Compliance

Lumileds LLC is committed to providing environmentally friendly products to the solid-state lighting market. SignalSure 75 is compliant to the European Union directives on the restriction of hazardous substances in electronic equipment, namely the RoHS Directive 2011/65/EU and REACH Regulation (EC) 1907/2006. Lumileds LLC will not intentionally add the following restricted materials to its products: lead, mercury, cadmium, hexavalent chromium, polybrominated biphenyls (PBB) or polybrominated diphenyl ethers (PBDE).

Performance Characteristics

Product Selection Guide

Table 1. Product selection for SignalSure 75 at 20 ms MP, 75 mA, $T_j = 25\text{ }^\circ\text{C}$

COLOR	DOMINANT WAVELENGTH ^[1,2] (nm)	PART NUMBER
Red Orange	615	A1DP - O612L
Red	623	A1DP - R620L

Notes for Table 1:

1. Dominant wavelength is derived from the CIE 1931 Chromaticity diagram and represents perceived color.
2. Lumileds maintains a tolerance of $\pm 0,5$ nm for dominant wavelength measurements.

Optical Characteristics

Table 2. Typical optical characteristics for SignalSure 75 at 20 ms MP, 75 mA, $T_j = 25\text{ }^\circ\text{C}$

PART NUMBER	TYPICAL TOTAL INCLUDED ANGLE ^[1] $\theta_{0,90V}$	TYPICAL VIEWING ANGLE ^[2] $2\theta_{1/2}$
A1DP - O612L	140°	120°
A1DP - R620L	140°	120°

Notes for Table 2:

1. Total angle at which 90% of total luminous flux is captured.
2. Viewing angle is the off axis angle from the LED center line where the luminous intensity is $\frac{1}{2}$ of the peak value.

Electrical and Thermal Characteristics

Table 3. Typical electrical and thermal characteristics for SignalSure 75 at 20 ms MP, 75 mA, $T_j = 25\text{ }^\circ\text{C}$

PARAMETER	PERFORMANCE
Forward Voltage, V_f	2.35 V
Electrical Thermal Resistance, $R_{th-j-electr}$ ^[1] (Maximum)	45- $^\circ\text{C}/\text{W}$
Real Thermal Resistance, $R_{th-j-real}$ ^[2] (Maximum)	60 $^\circ\text{C}/\text{W}$

Notes for Table 3:

1. $R_{th-j-electr}$: Electrical thermal resistance (junction to case).
2. $R_{th-j-real}$: Real thermal resistance (junction to case) with wall plug efficiency included. Reference SD51-51, JESD51-14, 4.1.3.

Absolute Ratings

Table 4. Absolute ratings for SignalSure 75

PARAMETER	PERFORMANCE
Minimum DC Forward Current	5 mA
Maximum DC Forward Current	90 mA
Maximum Junction Temperature ^[1]	135 °C
Operating Case Temperature at Test Current ^[1]	-40 °C to 115 °C
Operating Case Temperature at Maximum Current ^[1]	-40 °C to 115 °C
Storage Temperature	-40 °C to 115 °C
Soldering Temperature	JEDEC 020E 260 °C
Allowable Reflow Cycles	3
Minimum ESD performance ^[2]	2 kV HBM (Class 2), 1 kV CDM (Class III)
Reverse Voltage (V _r) ^[3]	-10 V

Notes for Table 4:

1. Proper current derating must be observed to maintain junction temperature below the maximum, so that the LED is maintained below the maximum rated operating case temperature. SignalSure LEDs driven at or above the maximum rated operating case temperature may have shorter lifetime.
2. Measured using human body model (per ANSI/ESDA/JEDEC JS-001-2010) and charged device model (per JESD22-C101F).
3. SignalSure 75 is not designed to be driven in reverse bias.

Characteristic Curves

Spectral Power Distribution Characteristics

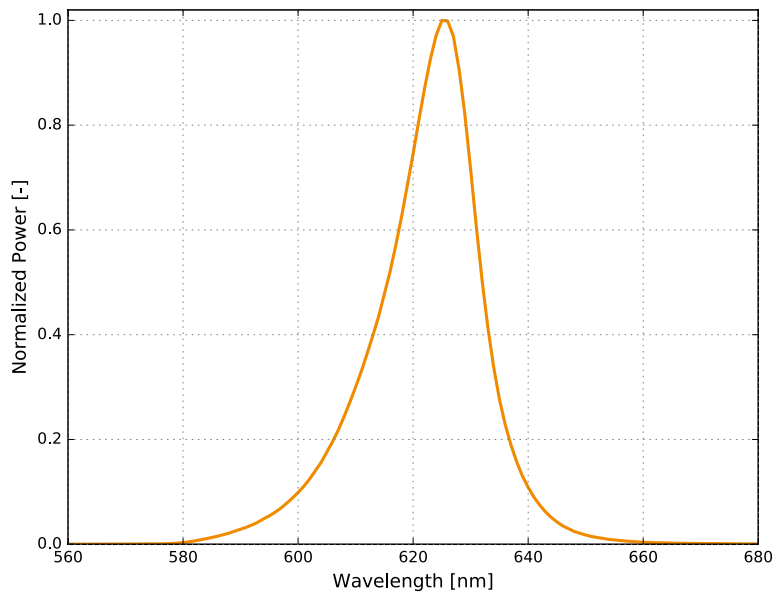


Figure 1a. Typical normalized power vs. wavelength for SignalSure 75 at 20 ms MP, 75 mA, T_j = 25 °C

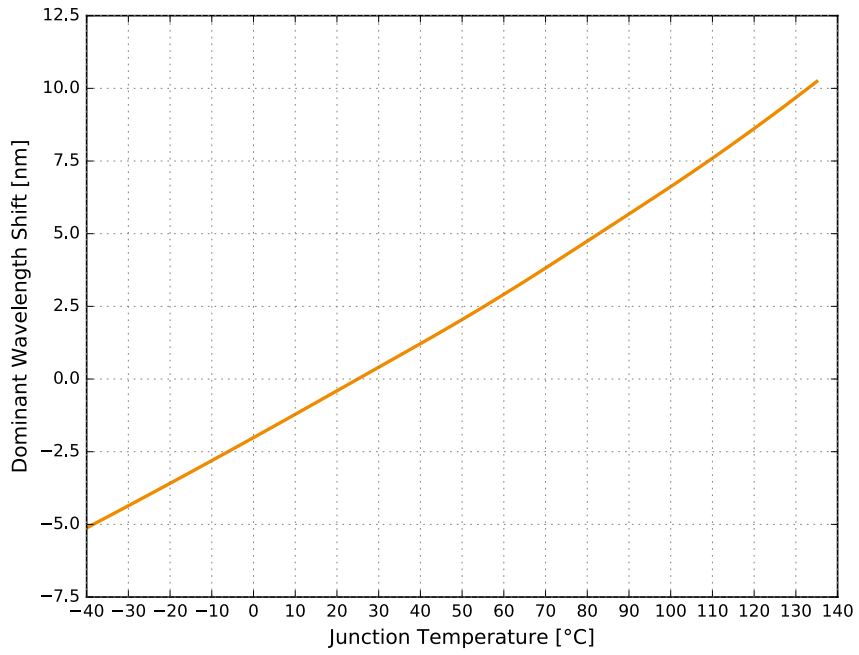


Figure 1b. Typical dominant wavelength shift vs junction temperature for SignalSure 75 at 20 ms MP, 75 mA, $T_j = 25\text{ °C}$

Light Output Characteristics

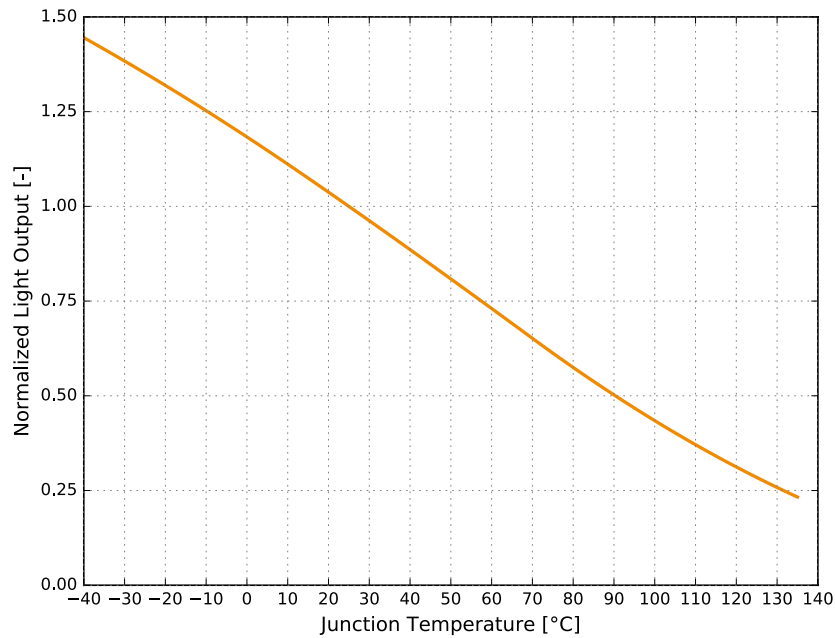


Figure 2. Typical normalized light output vs. junction temperature for SignalSure 75 at 20 ms MP, 75 mA

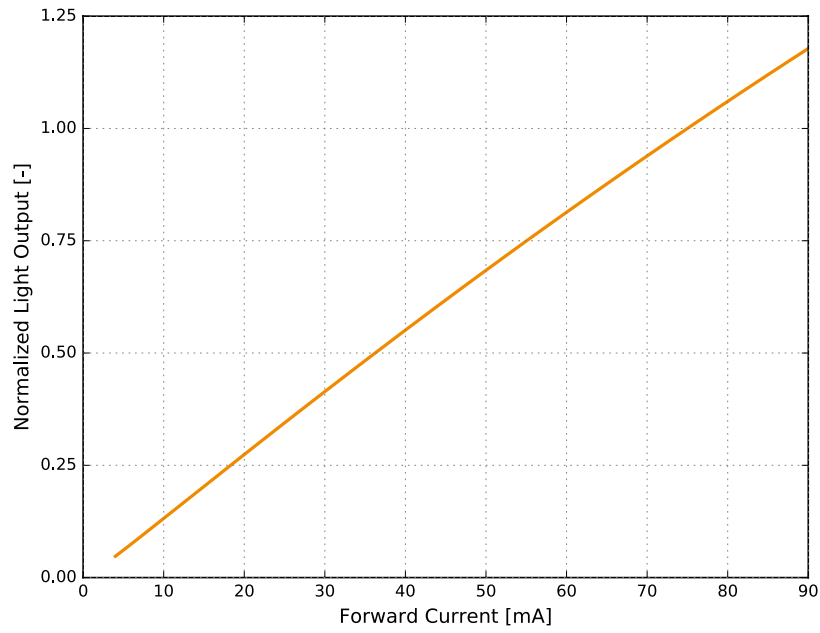


Figure 3. Typical normalized light output vs. forward current for SignalSure 75 at $T_j = 25\text{ }^\circ\text{C}$

Forward Current Characteristics

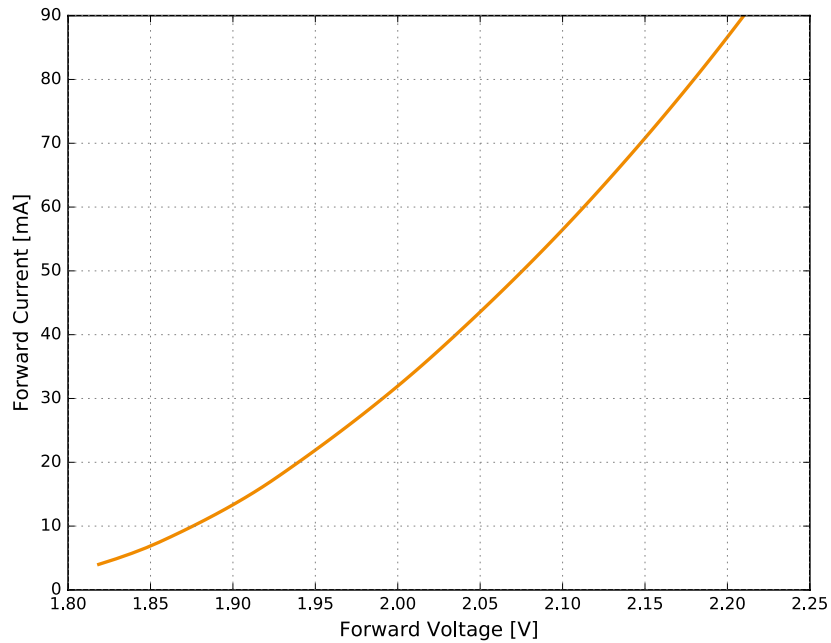


Figure 4a. Typical forward current vs. forward voltage for SignalSure 75 at $T_j = 25\text{ }^\circ\text{C}$

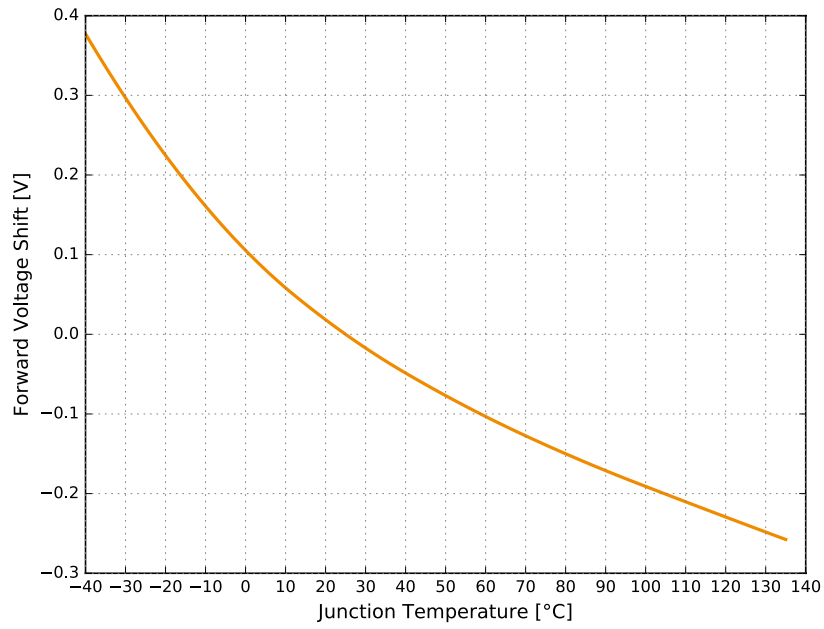


Figure 4b. Typical forward voltage shift vs. junction temperature for SignalSure 75 at 20 ms MP, specified test current

Radiation Pattern Characteristics

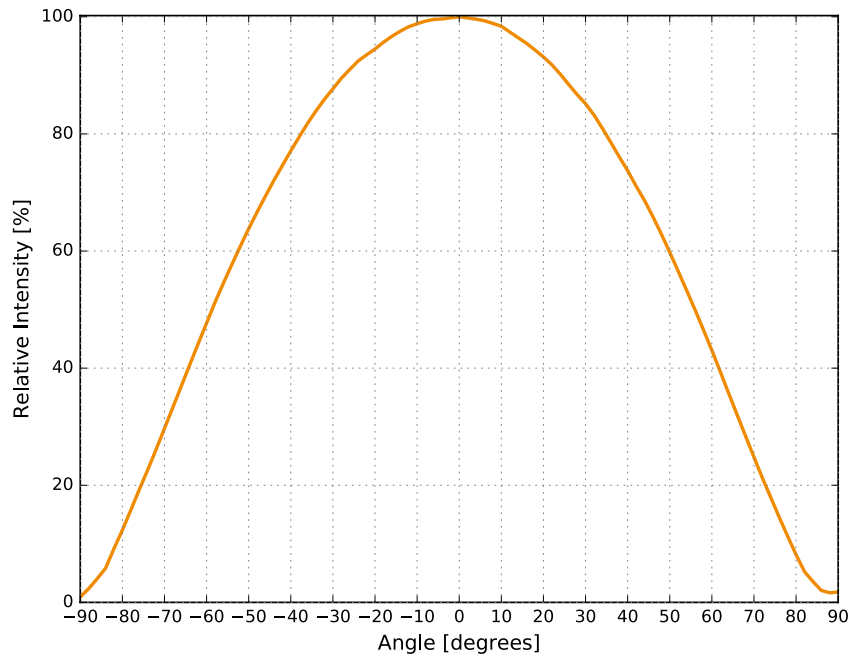


Figure 5. Typical radiation pattern for SignalSure 75 at 20 ms MP, 75 mA

Operating Limits Characteristics

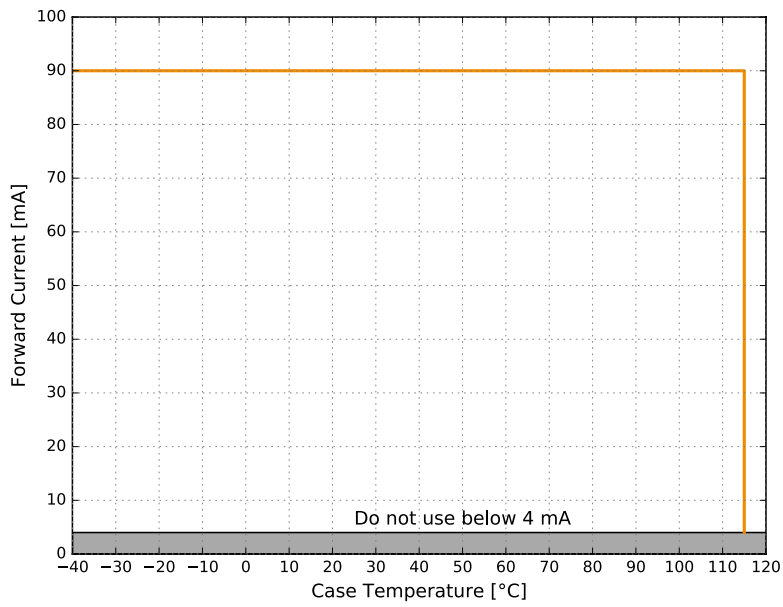


Figure 6. Maximum forward current vs. case temperature for SignalSure 75

Permissible Pulse Handling Characteristics

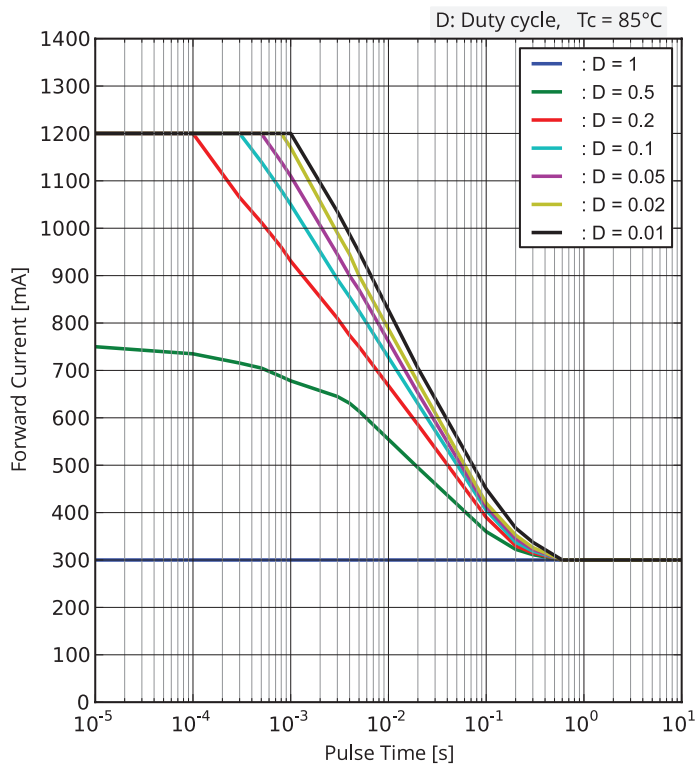


Figure 7. Permissible pulse handling capability for SignalSure 75

Product Bin and Labeling Definitions

Designing with SignalSure

Flux bins supportable for car programs depend on product color and program start- and end-of-production date. Flux roadmaps by year and product color are maintained and available from the sales representative. Please contact your local sales representative to request the flux bin range with best supportability for program timing.

Decoding Product Bin Labeling

In the manufacturing of semiconductor products, there are variations in performance around the average values given in the technical datasheets. For this reason, Lumileds bins the LED components for luminous flux, color and forward voltage.

SignalSure 75 single binned LEDs are labeled using a 3-digit alphanumeric CAT code following the format below:

A B C

- A** – designates luminous flux bin at 75 mA (example: B = 4.3 lumens to 5.1 lumens)
- B** – designates color code (example: 3 = 612 nm to 620 nm)
- C** – designates forward voltage bin at 75 mA (example: B = 2.19 V to 2.31 V)

SignalSure 75 dual-binned LEDs are labeled using a 5-digit CAT code following the format below:

A b C D e

- A** – designates luminous flux bin at 75 mA (example: B = 4.3 lumens to 5.1 lumens)
- b** – designates luminous flux bin at 5 mA (example: g = 0.35 lumens to 0.42 lumens)
- C** – designates color code (example: 3 = 612 nm to 620 nm)
- D** – designates forward voltage bin at 75 mA (example: B = 2.19 V to 2.31 V)
- e** – designates forward voltage bin at 5 mA (example: b = 1.72 V to 1.78 V)

Luminous Flux Bins

Table 5 lists the standard luminous flux bins for SignalSure 75 emitters. Product availability in a particular bin varies by color and platform start-of-production date. Contact your local sales representative for best supportability of programs.

Table 5a. Luminous flux bin definitions for SignalSure 75 at 20 ms MP, 75 mA, $T_j = 25\text{ }^\circ\text{C}$

BIN	LUMINOUS FLUX (lm)	
	MINIMUM	MAXIMUM
F1	8.7	9.5
F2	9.5	10.4
G1	10.4	11.4
G2	11.4	12.5
H1	12.5	13.5
H2	13.5	15.0
J1	15.0	16.5
J2	16.5	18.0
M1	18.0	19.5
M2	19.5	21.0

Notes for Table 5a:

1. Lumileds maintains a tolerance of $\pm 6.5\%$ on luminous flux measurements.

Table 5b. Luminous flux bin definitions for SignalSure 75 at 20 ms MP, 5 mA, $T_j = 25\text{ }^\circ\text{C}$

BIN	LUMINOUS FLUX (lm)	
	MINIMUM	MAXIMUM
G	0.35	0.42
H	0.42	0.50
J	0.50	0.60
M	0.60	0.72
N	0.72	0.86
P	0.86	1.02
R	1.02	1.22
U	1.22	1.46

Notes for Table 5b:

1. Lumileds maintains a tolerance of $\pm 6.5\%$ on luminous flux measurements.
2. Applies to dual binning option only.

Table 5c. Luminous flux bin pairing for SignalSure 75 at 20 ms MP, 75 mA and 5 mA, $T_j = 25\text{ }^\circ\text{C}$

BIN	PAIRING BIN	MINIMUM LUMINOUS FLUX (lm)	MAXIMUM LUMINOUS FLUX (lm)
75 MA	5 MA		
F	G, H, J, M, N, P	0.35	1.02
G	H, J, M, N, P, R	0.42	1.22
H	J, M, N, P, R, U	0.50	1.46

Notes for Table 5c:

1. Applies to dual binning option only.

Color Codes

Table 6. Color code definitions for SignalSure 75 at 20 ms MP, 75 mA, $T_j = 25\text{ }^\circ\text{C}$

CODE	DOMINANT WAVELENGTH (nm)	
	MINIMUM	MAXIMUM
3	612	620
6	620	627

Notes for Table 6:

1. Lumileds maintains a tolerance of ± 1 nm on dominant wavelength measurements.

Forward Voltage Bins

Table 7a. Forward voltage bin definitions for SignalSure 75 at 20 ms MP, 75 mA, $T_j = 25\text{ }^\circ\text{C}$

BIN	FORWARD VOLTAGE (V_f)	
	MINIMUM	MAXIMUM
A	2.07	2.19
B	2.19	2.31
C	2.31	2.43
D	2.43	2.55
E	2.55	2.67
F	2.67	2.79

Notes for Table 7a:

1. Lumileds maintains a tolerance of $\pm 0.06\text{V}$ on forward voltage measurements.
2. Applies to dual binning option only.

Table 7b. Forward voltage bin definitions for SignalSure 75 at 20 ms MP, 5 mA, $T_j = 25\text{ }^\circ\text{C}$

BIN	FORWARD VOLTAGE (V_f)	
	MINIMUM	MAXIMUM
A	1.66	1.72
B	1.72	1.78
C	1.78	1.84
D	1.84	1.90
E	1.90	1.96
F	1.96	2.02
G	2.02	2.08
H	2.08	2.14
J	2.14	2.20

Notes for Table 7b:

1. Lumileds maintains a tolerance of $\pm 0.06\text{V}$ on forward voltage measurements.
2. Applies to dual binning option only.

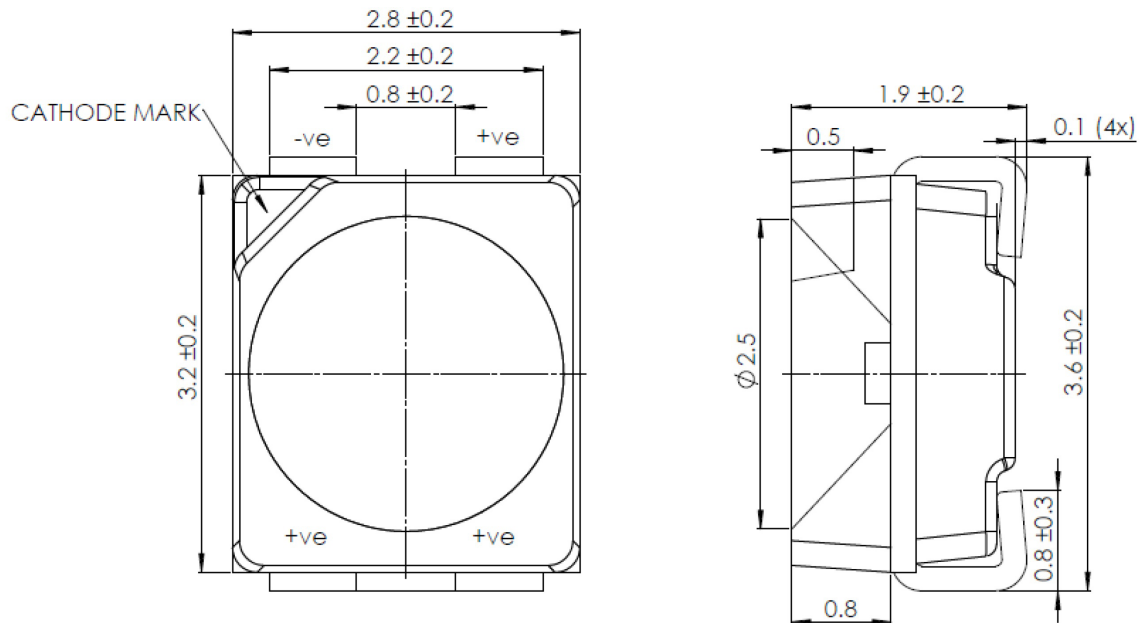
Table 7c. Forward voltage bin pairing for SignalSure 75 at 20 ms MP, 75 mA and 5 mA, $T_j = 25\text{ }^\circ\text{C}$

BIN	MINIMUM FORWARD VOLTAGE (V_f)	MAXIMUM FORWARD VOLTAGE (V_f)	PAIRING BIN	MINIMUM FORWARD VOLTAGE (V_f)	MAXIMUM FORWARD VOLTAGE (V_f)
75 MA			5 MA		
A	2.07	2.19	A, B, C, D	1.66	1.90
B	2.19	2.31	A, B, C, D, E	1.66	1.96
C	2.31	2.43	A, B, C, D, E, F	1.66	2.02
D	2.43	2.55	A, B, C, D, E, F, G	1.66	2.08
E	2.55	2.67	B, C, D, E, F, G, H	1.72	2.14
F	2.67	2.79	C, D, E, F, G, H, J	1.78	2.20

Notes for Table 7c:

1. Lumileds maintains a tolerance of $\pm 0.06\text{V}$ on forward voltage measurements.
2. Applies to dual binning option only.

Mechanical Dimensions



Note:
 Unless otherwise specified:
 - Dimensions are in mm
 - General Tolerance: ± 0.1

Figure 8. Mechanical dimensions for SignalSure 75

Notes for Figure 8:

1. Drawings are not to scale.
2. All dimensions are in millimeters.

Reflow Soldering Guidelines

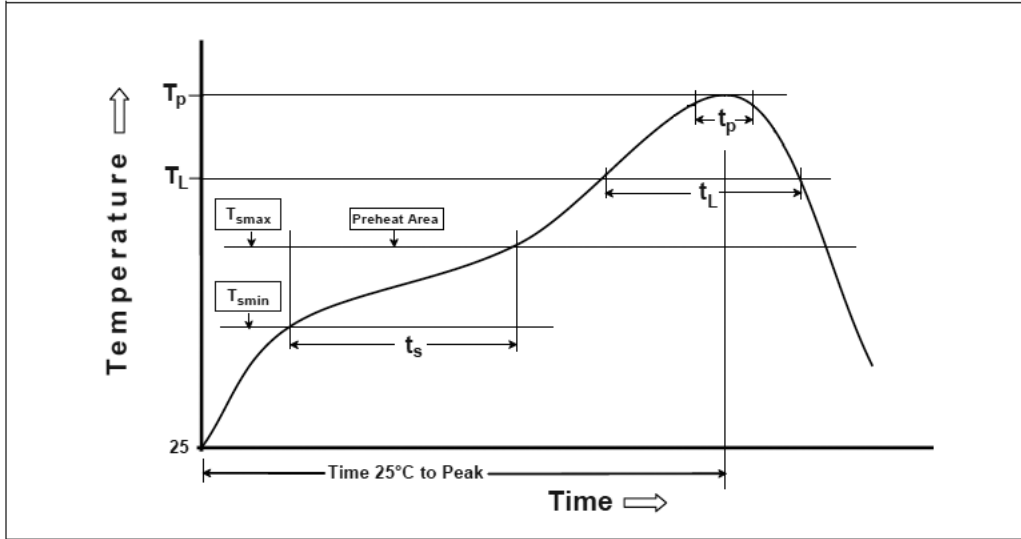


Figure 9. Visualization of the acceptable reflow temperature profile as specified in Table 8

Table 8. Reflow profile characteristics for SignalSure 75

PROFILE FEATURE	TYPICAL	MAXIMUM ACC. JEDEC J-STD-020E
Preheat Minimum Temperature (T_{smin})	150 °C	150 °C
Preheat Maximum Temperature (T_{smax})	200 °C	200 °C
Ramp-Up Rate (T_p to T_L)	100 seconds	60 to 120 seconds
Preheat Time (t_{smin} to t_{smax})	2 °C / second	3 °C/second
Liquidous Temperature (T_L)	217 °C	217 °C
Time Maintained Above Temperature T_L (t_L)	60 seconds	120 to 150 seconds
Peak / Classification Temperature (T_p)	240 °C	260 °C
Time Within 5 °C of Actual Peak Temperature (t_p)	20 seconds	30 to 50 seconds
Ramp-Down Rate (T_p to T_L)	2.5 °C / second	6 °C/second
Time 25 °C to Peak Temperature	310 seconds	480 seconds

Notes for Table 8:

1. All temperatures refer to the application Printed Circuit Board (PCB), measured on the surface adjacent to the package body.

JEDEC Moisture Sensitivity

Table 9. Moisture sensitivity levels for SignalSure 75

LEVEL	FLOOR LIFE ⁽¹⁾		SOAK REQUIREMENTS STANDARD	
	TIME	CONDITIONS	TIME	CONDITIONS
3	168 Hours	≤30 °C / 60 % RH	192 ² Hours +5 / -0	30 °C / 60 % RH

Notes for Table 9:

1. Shelf life 2 years.

Solder Pad Design

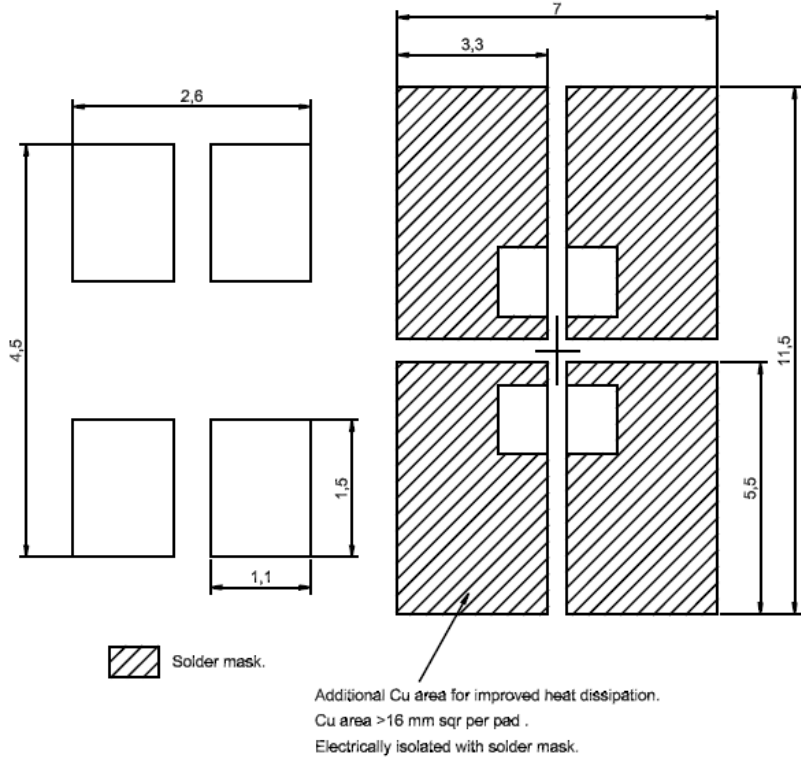


Figure 10. Recommended PCB solder pad layout for SignalSure 75

- Notes for Figure 10:
1. The drawing shows the recommended SignalSure 75 layout on Printed Circuit Board (PCB).
 2. All dimensions are in millimeters.

Packaging Information

Pocket Tape Dimensions

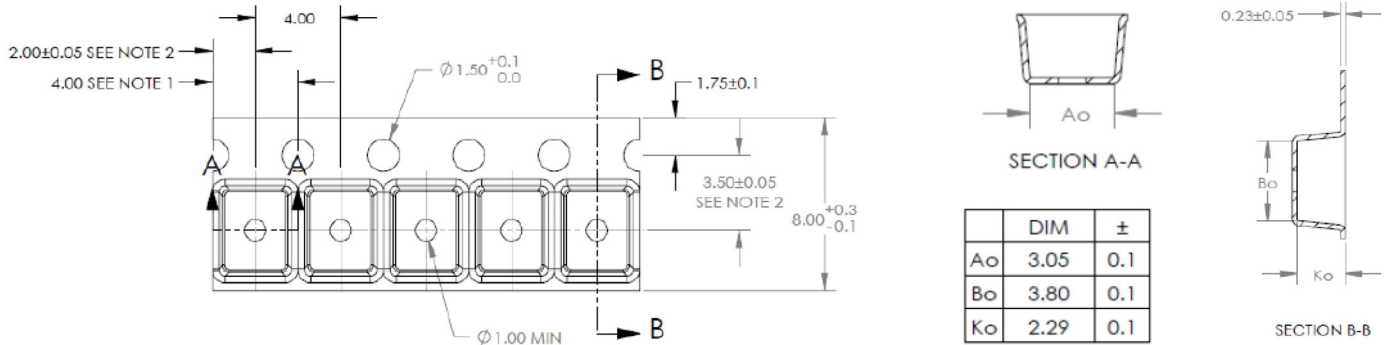


Figure 11. Pocket tape dimensions for SignalSure 75

Reel Dimensions

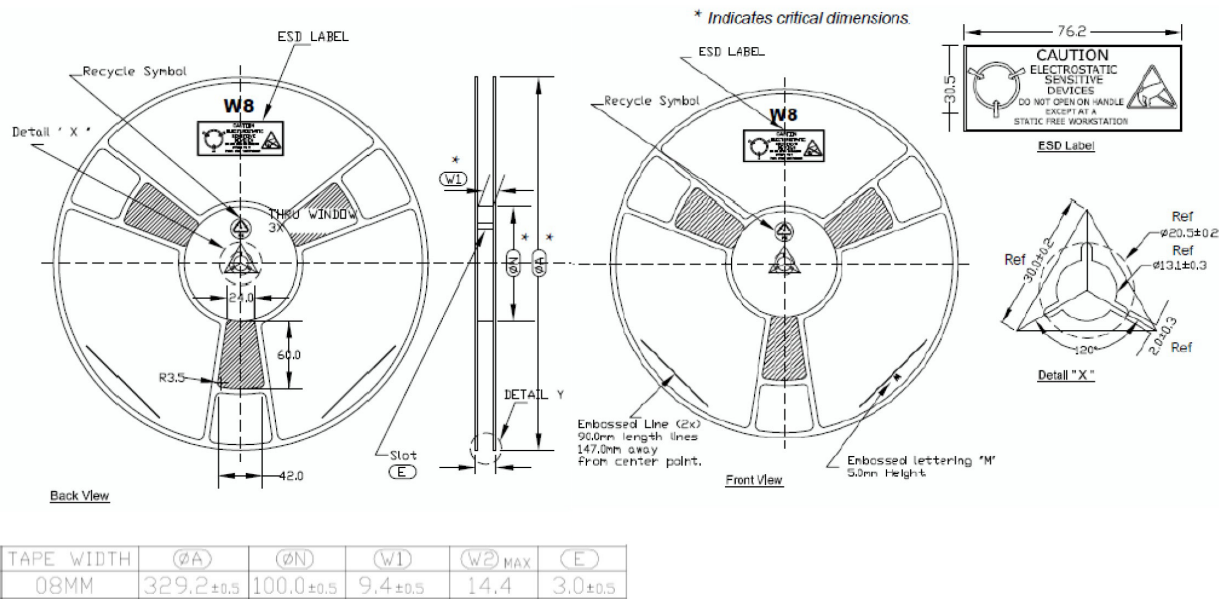


Figure 12. Reel dimensions for SignalSure 75

- Notes for Figures 11 and 12:
1. Drawings are not to scale.
 2. All dimensions are in millimeters.

Product Labeling

SignalSure 75 LEDs are packaged in moisture barrier bags on reels. Both moisture barrier bag and reels have printed information providing part numbers with CAT codes that indicate luminous flux bin, color bins and forward voltage bins.

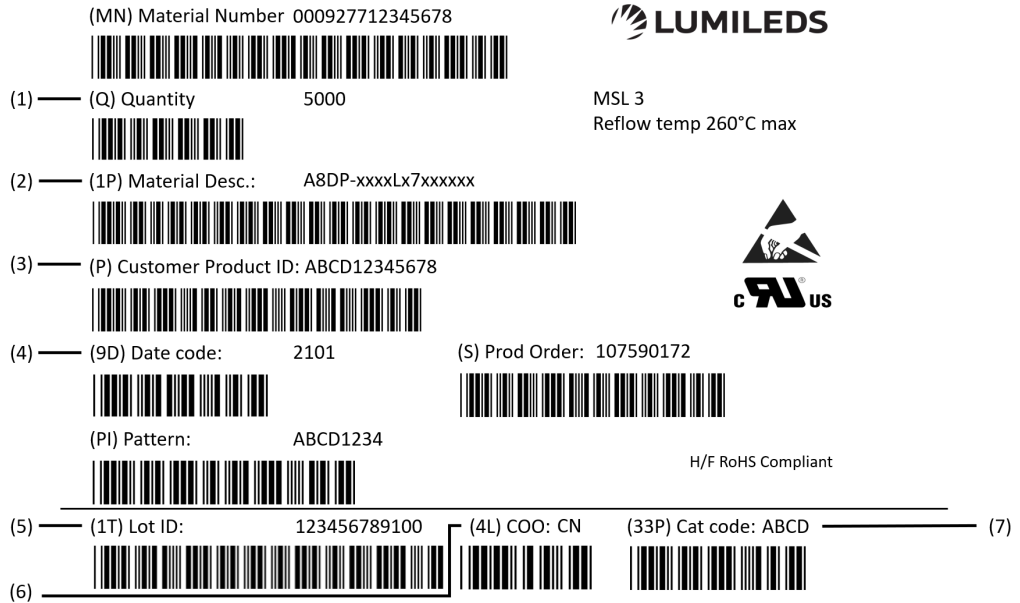


Figure 13. Example of a moisture barrier bag label

Notes for Figure 13 – Moisture barrier bag & Reel label descriptions for customer use:

Field labels not described are for Lumileds internal use only.

1. Total number of LED emitters in a shipment box.
2. Lumileds part number
3. Customer part number for custom requests only.
4. LED test date in YYWW format.
5. Unique product lot identification number. This number is required for traceability purposes.
6. Country code of origin of manufacturing of part (e.g. MY for Malaysia, CN for China) according to ISO 3166-1 alpha-2 document.
7. Product bin n-digit alphanumeric CAT code.

About Lumileds

Companies developing automotive, mobile, IoT and illumination lighting applications need a partner who can collaborate with them to push the boundaries of light. With over 100 years of inventions and industry firsts, Lumileds is a global lighting solutions company that helps customers around the world deliver differentiated solutions to gain and maintain a competitive edge. As the inventor of Xenon technology, a pioneer in halogen lighting and the leader in high performance LEDs, Lumileds builds innovation, quality and reliability into its technology, products and every customer engagement. Together with its customers, Lumileds is making the world safer, better and more beautiful—with light.

To learn more about our lighting solutions, visit lumileds.com.



©2021 Lumileds Holding B.V. All rights reserved.
LUXEON is a registered trademark of the Lumileds Holding B.V. in the United States and other countries.

lumileds.com

Neither Lumileds Holding B.V. nor its affiliates shall be liable for any kind of loss of data or any other damages, direct, indirect or consequential, resulting from the use of the provided information and data. Although Lumileds Holding B.V. and/or its affiliates have attempted to provide the most accurate information and data, the materials and services information and data are provided "as is," and neither Lumileds Holding B.V. nor its affiliates warrants or guarantees the contents and correctness of the provided information and data. Lumileds Holding B.V. and its affiliates reserve the right to make changes without notice. You as user agree to this disclaimer and user agreement with the download or use of the provided materials, information and data. A listing of Lumileds product/patent coverage may be accessed at lumileds.com/patents.