



# LUXEON HL4X

Maximized lumen output performance & increased system efficacy, with high driving current capabilities.



LUXEON HL4X is a specially designed high-power domed emitter suitable for outdoor and industrial applications like streetlights and high bay luminaires.

LUXEON HL4X provides maximum lumen outputs, and overall system efficacy in an industry standard 3535 package with 3-stripe footprint. With plenty of light coming from a small LES device and an ability to sustain high drive currents, it is perfect for cost efficient single optic, directional fixture designs.

## FEATURES AND BENEFITS

High lumens per emitter

Ability to drive at high maximum current

Industry standard 3535 package with 3-stripe footprint, suitable for existing designs with higher efficacy requirements

Special materials selection enables long lasting reliability in harsh environments

## PRIMARY APPLICATIONS

High Mast

Floodlights

Spotlights

High Bay

Low Bay

Torch

[More...](#)

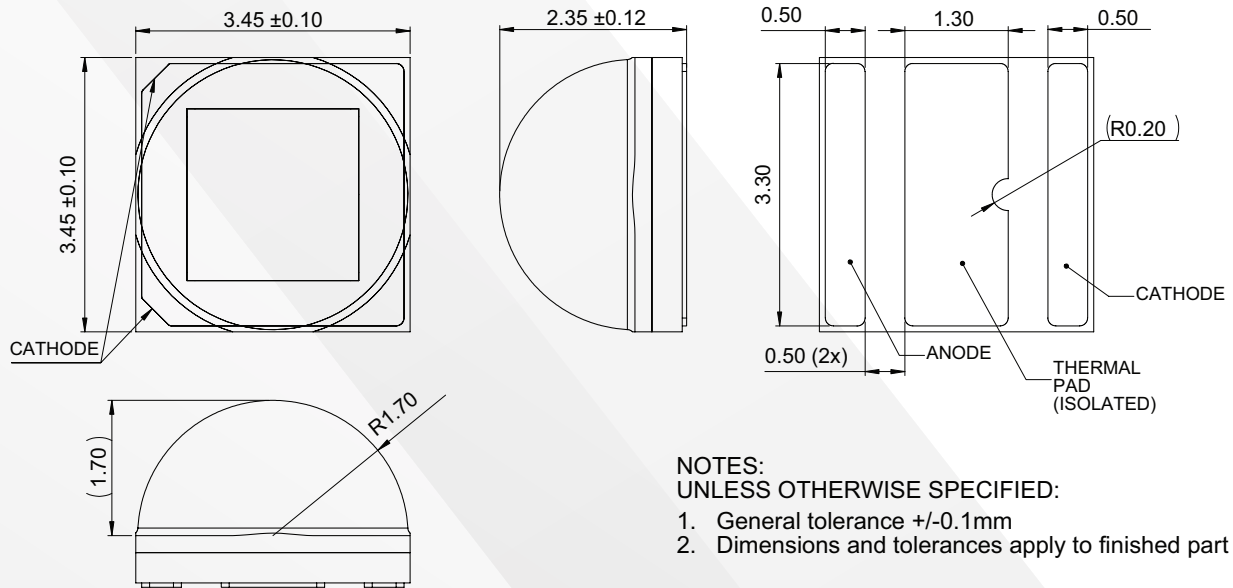
LUXEON HL4X product performance at 1400mA, T<sub>j</sub>=85°C.

NOMINAL CCT	MINIMUM R9 <sup>[3]</sup>	MINIMUM CRI <sup>[1]</sup>	LUMINOUS FLUX <sup>[2]</sup> (lm)		TYPICAL LUMINOUS EFFICACY (lm/W)	PART NUMBER
			MINIMUM	TYPICAL		
			1400mA			
2700K	-40	70	591	642	160	L1HX-2770400000000
3000K	-40	70	600	658	164	L1HX-3070400000000
4000K	-40	70	635	699	174	L1HX-4070400000000
5000K	-40	70	635	704	175	L1HX-5070400000000
5700K	-40	70	635	710	177	L1HX-5770400000000
6500K	-40	70	635	713	177	L1HX-6570400000000
3000K	0	80	515	588	146	L1HX-3080400000000
4000K	0	80	555	616	153	L1HX-4080400000000
5000K	0	80	565	632	157	L1HX-5080400000000
4000K	50	90	477	528	131	L1HX-4090400000000
5700K	50	90	500	575	143	L1HX-5790400000000

Notes:

1. Lumileds maintains a tolerance of ±2 on CRI.
2. Lumileds maintains a tester tolerance of ±6.5% on luminous flux measurements.
3. Lumileds maintains a tester tolerance of ±6.5 on R9 measurements.

Mechanical Dimensions.



- NOTES:  
UNLESS OTHERWISE SPECIFIED:
1. General tolerance +/-0.1mm
  2. Dimensions and tolerances apply to finished part

Notes:

1. Drawings are not to scale.
2. All dimensions are in millimeters.
3. Do not handle the device by the dome. Excessive force on the dome may damage the dome itself or the interior of the device.