



LUXEON CS Pro CoB

High efficacy, superior quality of light and commonly used square footprints for easy design-in



Retail and hospitality lighting needs are crystal clear: very high efficacy and excellent quality of light that make colors pop and encourage customers to engage with displays and products. LUXEON CS Pro CoBs deliver light, efficacy, long-life, and color stability for high-value installations.

FEATURES AND BENEFITS

- Widely used square footprints for easy design-in
- High performance with superior color stability
- Low thermal resistance enables smaller heatsinks and extends the operating life span
- Supported by a comprehensive optical, mechanical, and electrical ecosystem

PRIMARY APPLICATIONS

- Track Lights
- Downlights
- Spotlights
- High Bay
- Low Bay
- More...

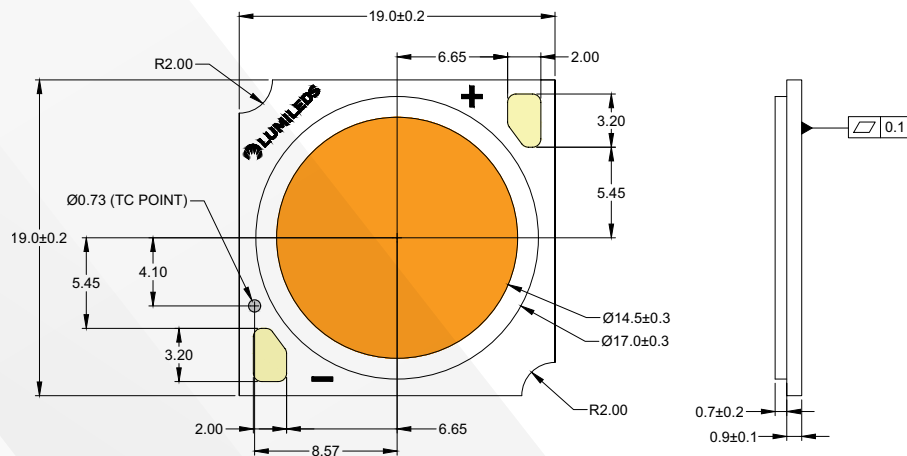
LUXEON CS Pro CoB product performance at specified test current, T_j=85°C.

LES ^[4] (mm)	NOMINAL CCT	MINIMUM CRI ^[1, 2, 3]	LUMINOUS FLUX ^[1] (lm)		TYPICAL LUMINOUS EFFICACY (lm/W)	TEST CURRENT (mA)	ENERGY EFFICIENCY CLASS ^[5]	PART NUMBER
			MINIMUM	TYPICAL				
15	3000K	90	3355	3728	153	720	D	L2C6-30902L08A15X0
15	3000K	90	4214	4682	153	900	D	L2C6-30902L10A15X0
22	3000K	90	4657	5174	154	990	D	L2C6-30902L11A22X0

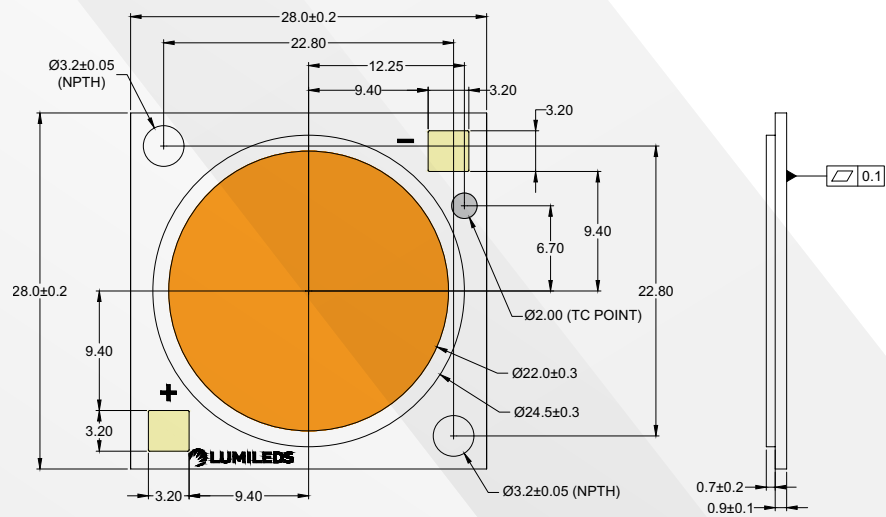
Notes:

1. Lumileds maintains a tolerance of ±2 on CRI and ±6.5% on luminous flux measurements.
2. Typical CRI is approximately 2 points higher than the minimum CRI specified, but this is not guaranteed.
3. R9 value of 90CRI products is >50.
4. Light Emitting Surface (LES) is the inner diameter (phosphor area) inside the dam.
5. Energy efficiency class as specified in Commission Delegated Regulation (EU) 2019/2015. The available range of energy efficiency classes is A-G.

Mechanical Dimensions



L2C6-xx90xL08x15X0, L2C6-xx90xL10x15X0



L2C6-xx90xL11x22X0

Notes:

1. Drawings are not to scale.
2. All dimensions are in millimeters.

©2023 Lumileds Holding B.V. All rights reserved.
LUXEON is a registered trademark of the Lumileds Holding B.V. in the United States and other countries.

lumileds.com

Neither Lumileds Holding B.V. nor its affiliates shall be liable for any kind of loss of data or any other damages, direct, indirect or consequential, resulting from the use of the provided information and data. Although Lumileds Holding B.V. and/or its affiliates have attempted to provide the most accurate information and data, the materials and services information and data are provided "as is," and neither Lumileds Holding B.V. nor its affiliates warrants or guarantees the contents and correctness of the provided information and data. Lumileds Holding B.V. and its affiliates reserve the right to make changes without notice. You as user agree to this disclaimer and user agreement with the download or use of the provided materials, information and data. A listing of Lumileds product/patent coverage may be accessed at lumileds.com/patents.